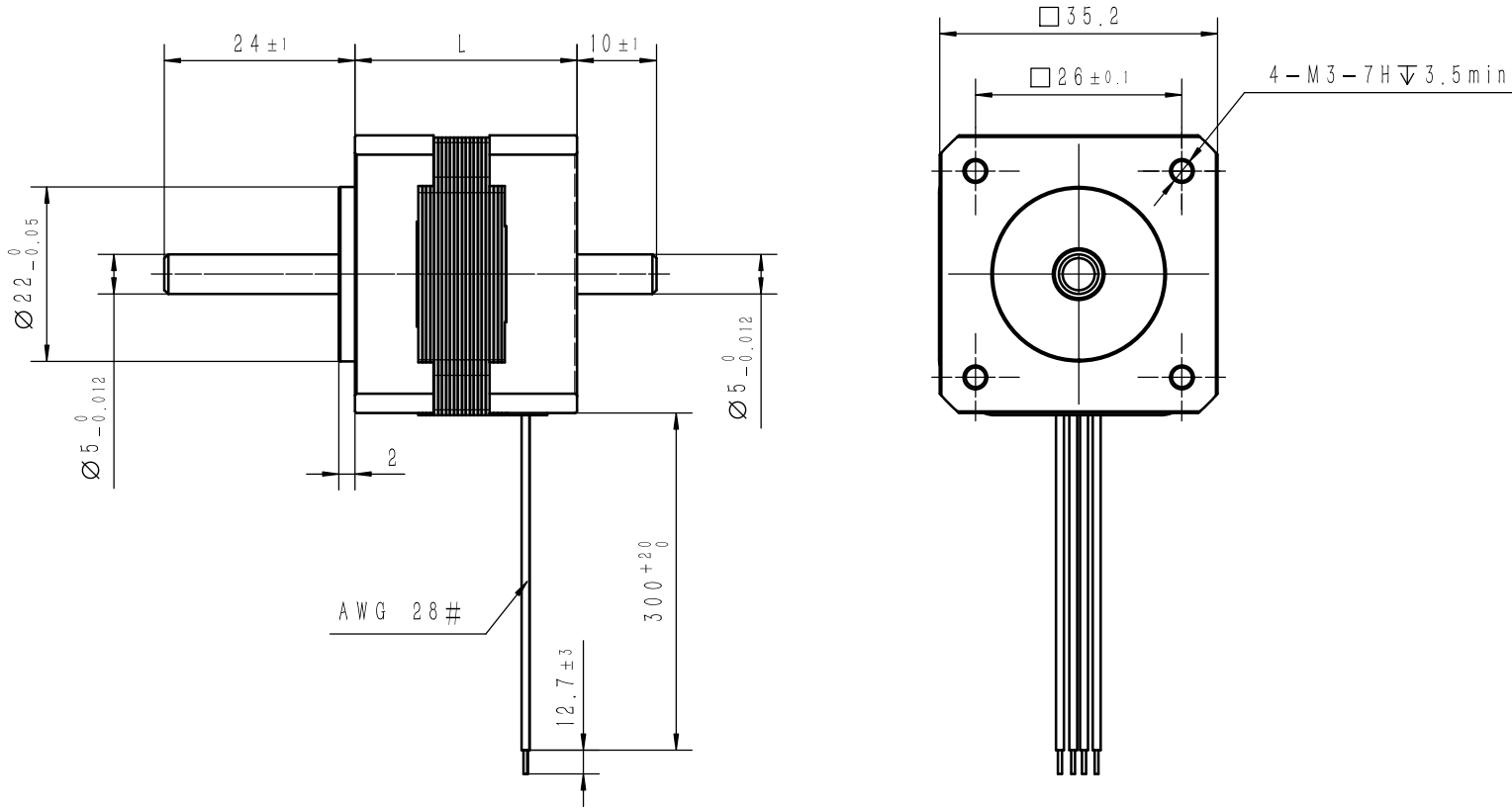


| | | | | | | |
|--------|--------|------|-------------------|-----------------|------------|-------------|
| 关键特性 ▼ | 客户特性 ★ | REV. | 描述 Description | 变更者 Drawn By | 日期 DATE | 变更号 ECN. |
| | | A | 发布 | QRJ | 14-Jan-26 | |



描图

描校

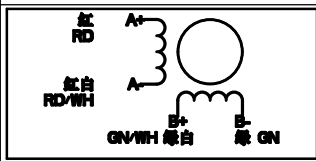
底图存放

签字

日期

客户
Customer

Wiring Diagram 接线图



Exciting Sequence 励磁顺序

| | | | | |
|----|---|---|---|---|
| 伸出 | + | - | - | + |
| A+ | + | - | - | + |
| A- | - | + | + | - |
| B+ | + | + | - | - |
| B- | - | - | + | + |
| 缩回 | | | | |

| STANDARD BLOCK TOLERANCES: UNLESS OTHERWISE SPECIFIED | | | |
|---|--------|--------|---------------|
| | INCH | | MM |
| DECIMALS: | X | ±.020 | X ±0.38 |
| DECIMALS: | X.X | ±.015 | X.X ±0.25 |
| DECIMALS: | X.XX | ±.010 | X.XX ±0.13 |
| DECIMALS: | X.XXX | ±.005 | X.XXX ±0.013 |
| DECIMALS: | X.XXXX | ±.0005 | X.XXXX ±0.013 |
| ANGLES: | ±2° | | |

| | |
|----------|-----------|
| Drawn By | QRJ |
| Date | 14-Jan-26 |
| Unit | mm |

PROPRIETARY NOTICE

THIS DOCUMENT CONTAINS CONFIDENTIAL AND TRADE SECRET INFORMATION AND IS DISCLOSED TO THE RECEIVER IN CONFIDENCE. THE RECEIVER, BY RECEPTION AND RETENTION OF THIS DOCUMENT ACCEPTS THIS DOCUMENT IN CONFIDENCE AND AGREES THAT, EXCEPT AS AUTHORIZED IN WRITING BY AN OFFICER IT WILL, (1) NOT USE ANY PORTION OF THIS DOCUMENT OR ANY COPY THEREOF OR THE CONFIDENTIAL OR TRADE SECRET INFORMATION THEREIN, (2) NOT COPY ANY PORTION OF THIS DOCUMENT, (3) NOT DISCLOSE TO OTHERS ANY PORTION OF EITHER THIS DOCUMENT OR THE CONFIDENTIAL OR TRADE SECRET INFORMATION THEREIN, AND (4) UPON COMPLETION OF THE NEED TO RETAIN THIS DOCUMENT, OR UPON DEMAND, RETURN THIS DOCUMENT, ALL COPIES THEREOF, AND ALL MATERIAL COPIED THEREFROM. COPYRIGHT © 2008

常州惠勒电机有限公司
Changzhou Wheeler Motor CO., LTD
常州市新北区新桥工业园区镜湖路28号
No.28, Jinghu Road, Xinqiao Industrial Park,
Xinbei District, Changzhou, 213125
TEL: 0519-83252878, 85102562
FAX: 0519-83252220
EMAIL: info@wheeler.com.cn
www.wheeler.com.cn

Scale: A4 Sheet 1 of 1

WHEELER™
常州惠勒电机有限公司
技术规格书

DWG. NO.
35HXXH-XXXXX-XXX