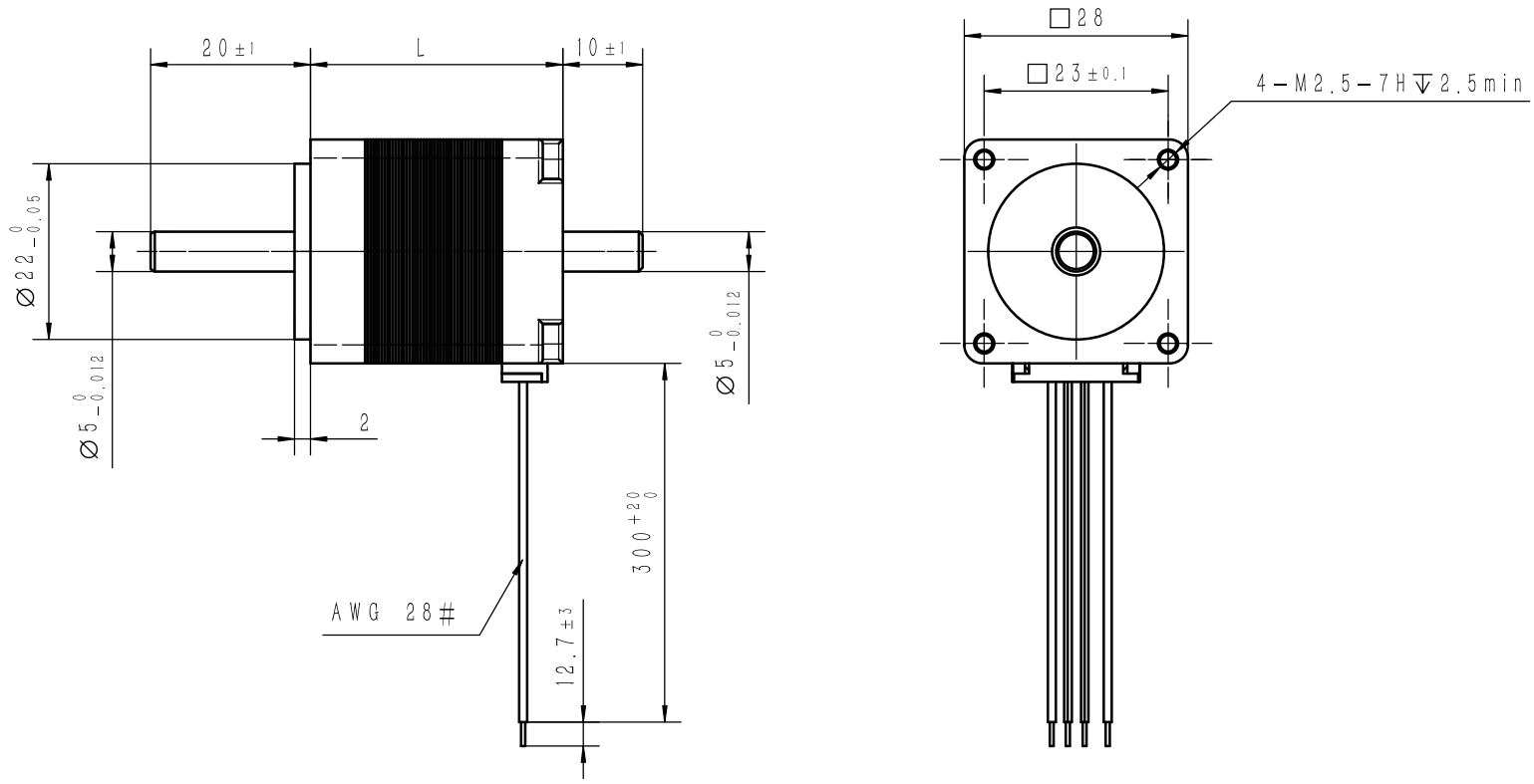
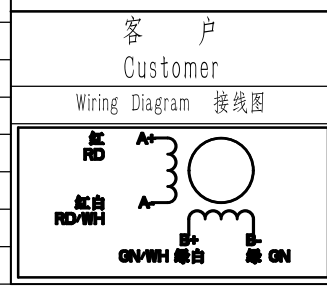


关键特性 ▼	客户特性 ★	REV.	描述 Description	变更者 Drawn By	日期 DATE	变更号 ECN.
		A	发布	QRJ	14-Jan-26	



描图  
描校  
底图存放  
签字  
日期



Exciting Sequence 励磁顺序

伸出	+	-	-	+
A+	+	-	-	+
A-	-	+	+	-
B+	+	+	-	-
B-	-	-	+	+
缩回				

STANDARD BLOCK TOLERANCES: UNLESS OTHERWISE SPECIFIED

	INCH		MM	
DECIMALS: X	±.020	X	±0.38	
DECIMALS: X.X	±.015	X.X	±0.25	
DECIMALS: X.XX	±.010	X.XX	±0.13	
DECIMALS: X.XXX	±.005	X.XXX	±0.013	
DECIMALS: X.XXXX	±.0005			
ANGLES:	±2°			

Drawn By: QRJ  
Date: 14-Jan-26  
Unit: mm

PROPRIETARY NOTICE  
THIS DOCUMENT CONTAINS CONFIDENTIAL AND TRADE SECRET INFORMATION AND IS DISCLOSED TO THE RECEIVER IN CONFIDENCE. THE RECEIVER, BY RECEPTION AND RETENTION OF THIS DOCUMENT ACCEPTS THIS DOCUMENT IN CONFIDENCE AND AGREES THAT, EXCEPT AS AUTHORIZED IN WRITING BY AN OFFICER IT WILL, (1) NOT USE ANY PORTION OF THIS DOCUMENT OR ANY COPY THEREOF OR THE CONFIDENTIAL OR TRADE SECRET INFORMATION THEREIN, (2) NOT COPY ANY PORTION OF THIS DOCUMENT, (3) NOT DISCLOSE TO OTHERS ANY PORTION OF EITHER THIS DOCUMENT OR THE CONFIDENTIAL OR TRADE SECRET INFORMATION THEREIN, AND (4) UPON COMPLETION OF EITHER THE NEED TO RETAIN THIS DOCUMENT, OR UPON DEMAND, RETURN THIS DOCUMENT, ALL COPIES THEREOF, AND ALL MATERIAL COPIED THEREFROM.  
COPYRIGHT © 2008

常州惠勒电机有限公司  
Changzhou Wheeler Motor CO., LTD  
常州市新北区新桥工业园区镜湖路28号  
No.28, Jinghu Road, Xinqiao Industrial Park,  
Xinbei District, Changzhou, 213125  
TEL: 0519-83252878, 85102562  
FAX: 0519-83252220  
EMAIL: info@wheeler.com.cn  
www.wheeler.com.cn

**WHEELER™**  
常州惠勒电机有限公司  
技术规格书

DWG. NO.  
28HXXH-0XXXX-XXX

Scale: A4 Sheet 1 of 1